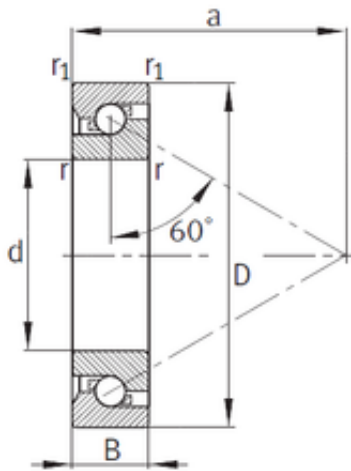




NTN BEARING DRIVESHAFT, INC.



50 mm x 100 mm x 20 mm FAG BSB050100-T Ball Bearings

Bearing No. BSB050100-T

Size	50x100x20 mm
Bore Diameter	50 mm
Outer Diameter	100 mm
Width	20 mm
d	50 mm
D	100 mm
B	20 mm
C	20 mm
Angle (°)	60 °
a	75 mm
r min.	1,5 mm
r1 min.	1,5 mm
Da	85,5 mm
da	64,5 mm
Weight	0,75 Kg
Basic dynamic load rating (C)	62 kN
Basic static load rating (C0)	172 kN

BSB050100-T Bearing 2D drawings and 3D CAD models