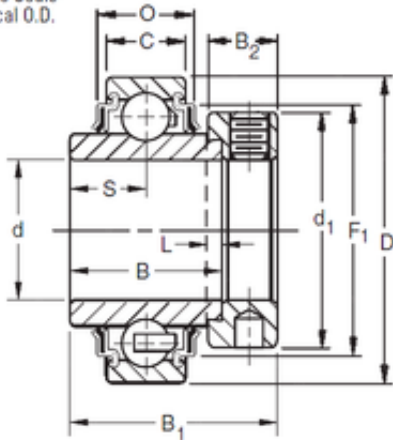




# NTN BEARING DRIVESHAFT, INC.

KRR Two Seals  
Cylindrical O.D.



## 74,6125 mm x 130 mm x 74,61 mm TIMKEN 1215KRR Insert Bearings Cylindrical OD

Bearing No. 1215KRR

Size	74.6125x130x74.61 mm
Bore Diameter	74,6125 mm
Outer Diameter	130 mm
Width	74,61 mm
d	74,6125 mm
D	130 mm
B	74,61 mm
C	25 mm
P	—
O	34,03 mm
d1	101,6 mm
B1	91,2 mm
B2	23,8 mm
L	6,4 mm
S	37,3 mm
F1	113,13 mm
Weight	2,64 Kg
Basic dynamic load rating (C)	69,5 kN

1215KRR Bearing 2D drawings and 3D CAD models