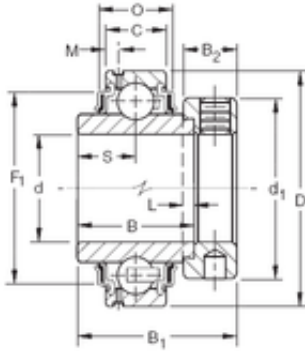




# NTN BEARING DRIVESHAFT, INC.

G-KRR Two Seals  
Cylindrical O.D.



## 50,8 mm x 100 mm x 55,56 mm TIMKEN G1200KRR Insert Bearings Cylindrical OD

Bearing No. G1200KRR

Size	50.8x100x55.56 mm
Bore Diameter	50,8 mm
Outer Diameter	100 mm
Width	55,56 mm
d	50,8 mm
D	100 mm
B	55,56 mm
C	25 mm
P	29,01 mm
O	87,17 mm
d1	76,2 mm
B1	5 mm
B2	20,6 mm
L	4,8 mm
S	27,8 mm
F1	71,4 mm
Weight	1,583 Kg
Basic dynamic load rating (C)	48 kN

G1200KRR Bearing 2D drawings and 3D CAD models