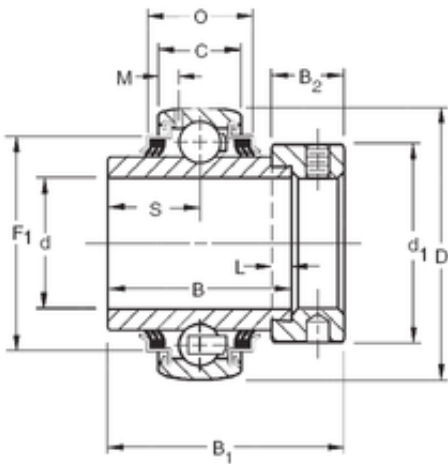




NTN BEARING DRIVESHAFT, INC.

28,575 mm x 62 mm x 36,51 mm TIMKEN G1102KPPB3 Insert Bearings Spherical OD



Bearing No. G1102KPPB3

Size	28.575x62x36.51 mm
Bore Diameter	28,575 mm
Outer Diameter	62 mm
Width	36,51 mm
d	28,575 mm
D	62 mm
B	36,51 mm
C	18 mm
O	21,56 mm
d1	44,4 mm
B1	48,4 mm
B2	15,9 mm
L	3,9 mm
M	4,19 mm
S	18,3 mm
F1	52,53 mm
Weight	0,404 Kg
Basic dynamic load rating (C)	21,8 kN

G1102KPPB3 Bearing 2D drawings and 3D CAD models