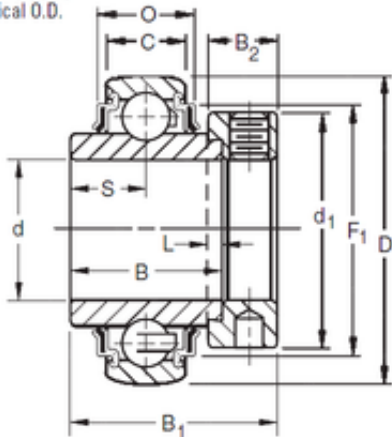




# NTN BEARING DRIVESHAFT, INC.

KRRB Two Seals  
Spherical O.D.



## 30,1625 mm x 62 mm x 36,51 mm TIMKEN 1103KRRB Insert Bearings Spherical OD

Bearing No. 1103KRRB

Size	30.1625x62x36.51 mm
Bore Diameter	30,1625 mm
Outer Diameter	62 mm
Width	36,51 mm
d	30,1625 mm
D	62 mm
B	36,51 mm
C	16 mm
P	17,78 mm
O	19,56 mm
d <sub>1</sub>	44,4 mm
B <sub>1</sub>	48,4 mm
B <sub>2</sub>	15,9 mm
L	4 mm
S	18,3 mm
F <sub>1</sub>	52,53 mm
Weight	0,376 Kg
Basic dynamic load rating (C)	21,2 kN

1103KRRB Bearing 2D drawings and 3D CAD models